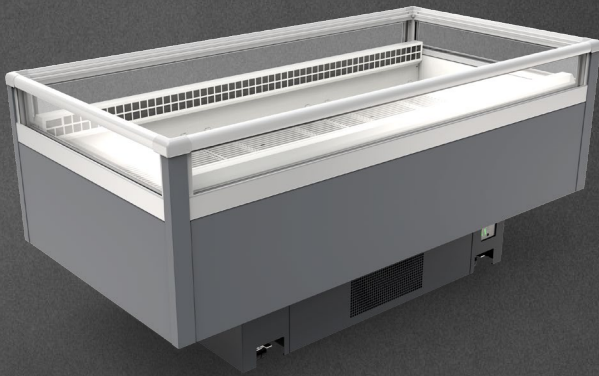




PLUG-IN → ISLANDS

# Pamir WDPR-01 2030

CSS | XXX



**Module:**

2030



**Refrigerant:**

R290



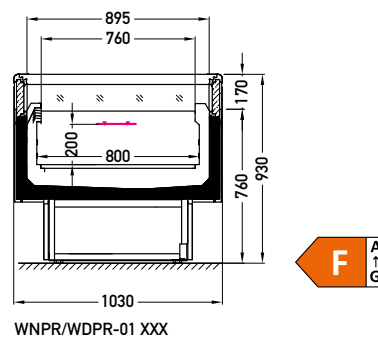
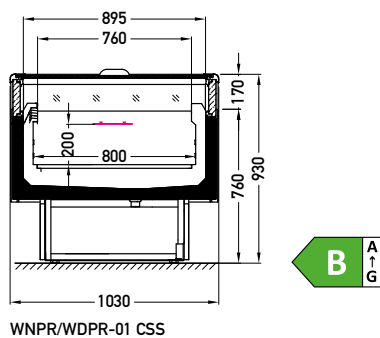
**Available options:**

- working temperature: from 0°C to 2°C
- hot gas defrosting
- automatic evaporation of condensate
- electronic controller with temperature indicator
- **energy saving fans**
- exposition: zinc-plated steel, powder coated in white (RAL 9003)
- thermopane glass
- colour of the base black (RAL 9005)
- bumper (optionally)
- sidewalls integrated
- LEDit lighting (optionally)

Pamir WDPR-01 2030 XXX



**Cross sections:**



**CSS** – cover | single, straight | sliding (sideways)  
**XXX** – no glazing

Available modules: 1230 1530 2030 2530