

Grazia LGGR-28

GSL | BSA



STANDARD FEATURES

- hot cases: Bain Marie / Hot plate
- temperature up to +85°C
- electronic controller with temperature indicator / for Bain Marie additionally a mechanical thermometer at the air inlet
- feature of the heating element – heating plate (for hot case) / heating bath (for Bain Marie)
- lighting panel: IR heating lamp (for GSL)
- exposition: stainless steel H18
- external surfaces (front / base): zinc-plated steel, powder coated
- exposition on a full base

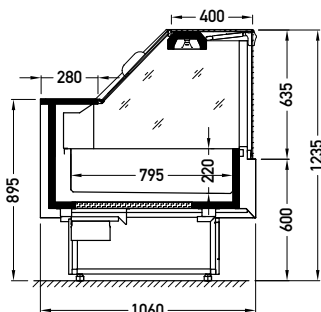
OPTIONS

- sidewalls

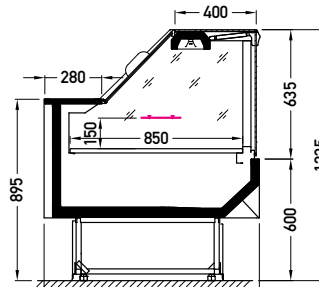


Grazia LGGR-28 1250 GSL Bain Marie

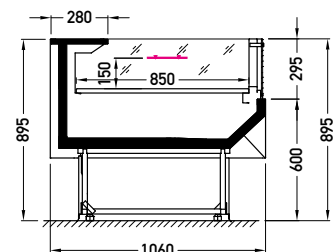
GSL – glass | single, straight | lift up
BSA – low glass or front glass riser | single, straight | fixed



LGGR-28 GSL
Bain-marie



LGGR-28 GSL
Hot-plate



LGGR-28 BSA
Hot-plate

AVAILABLE MODULES

1250

JBG-2 Sp. z o.o. reserves the right to change the standards of devices or to withdraw products without prior notice.

Designation of the energy efficiency class is dedicated to a particular products, which are presented on each page of the catalogue. Indicated energy efficiency class depends on a module type, equipment, glassing version and type of a refrigerant. Amendment of each of the said parameters may cause amendment of the energy efficiency class. Contact the producer to acknowledge the energy efficiency class for the product with different parameters to those presented in the catalogue.