

Grazia LDGR-29

GSL | BSA



STANDARD FEATURES

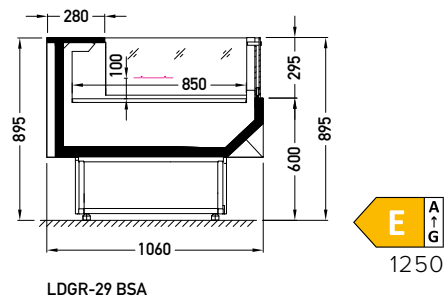
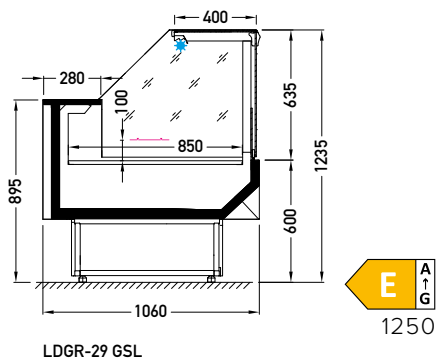
- working temperature – straight module and corners from 0°C to 2°C
- refrigerant: R290
- electrical defrosting
- automatic evaporation of condensate
- electronic controller with temperature indicator
- exposition: zinc-plated steel, powder coated in white (RAL 9003)
- worktop: linen stainless steel
- color of the base black (RAL 9005)
- perspex covers – 1250, 1875, 2500, 3750

OPTIONS

- LEDit lighting
- PVC floor profiles
- bumper
- sidewalls

Grazia LDGR-29 2500 GSL

BSA – low glass or front glass riser | single, straight | fixed
 GSL – glass | single, straight | lift up



AVAILABLE MODULES

BSA	GSL	1250	1875	2500	3750
		NW45			
GSL		NZ45	NZ90		