

Grazia LDGR-08

BCA | GCL



STANDARD FEATURES

- working temperature – straight module and corners from 0°C to 2°C
- refrigerant: R290
- electrical defrosting
- automatic evaporation of condensate
- electronic controller with temperature indicator
- back doors – quantity according to the module
- exposition: zinc-plated steel, powder coated in white (RAL 9003)
- storage: steel coated in grey
- worktop: linen stainless steel
- color of the base black (RAL 9005)
- perspex covers – 1250, 1875, 2500, 3750

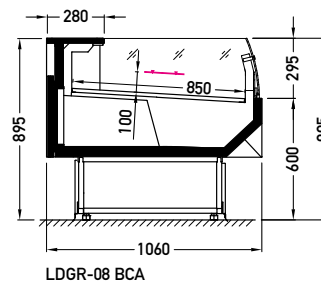
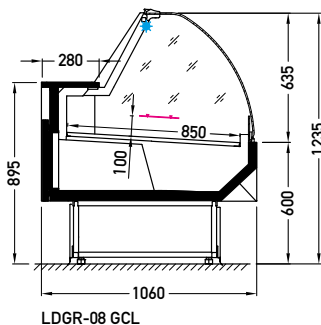
OPTIONS

- LEDit lighting
- PVC floor profiles
- bumper
- sidewalls



Grazia LDGR-08 2500 GCL

BCA – low glass or front glass riser | single, bent | fixed
 GCL – glass | single, bent | lift up



AVAILABLE MODULES

BCA	GCL	1250	1875	2500	3750
		NW45			
		NZ45			

JBG-2 Sp. z o.o. reserves the right to change the standards of devices or to withdraw products without prior notice.

Designation of the energy efficiency class is dedicated to a particular products, which are presented on each page of the catalogue. Indicated energy efficiency class depends on a module type, equipment, glassing version and type of a refrigerant. Amendment of each of the said parameters may cause amendment of the energy efficiency class. Contact the producer to acknowledge the energy efficiency class for the product with different parameters to those presented in the catalogue.